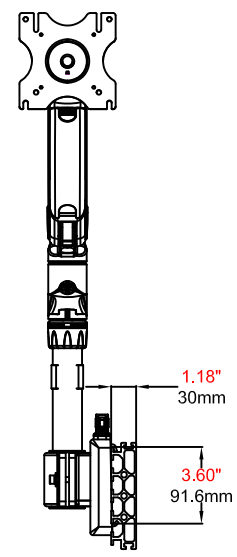
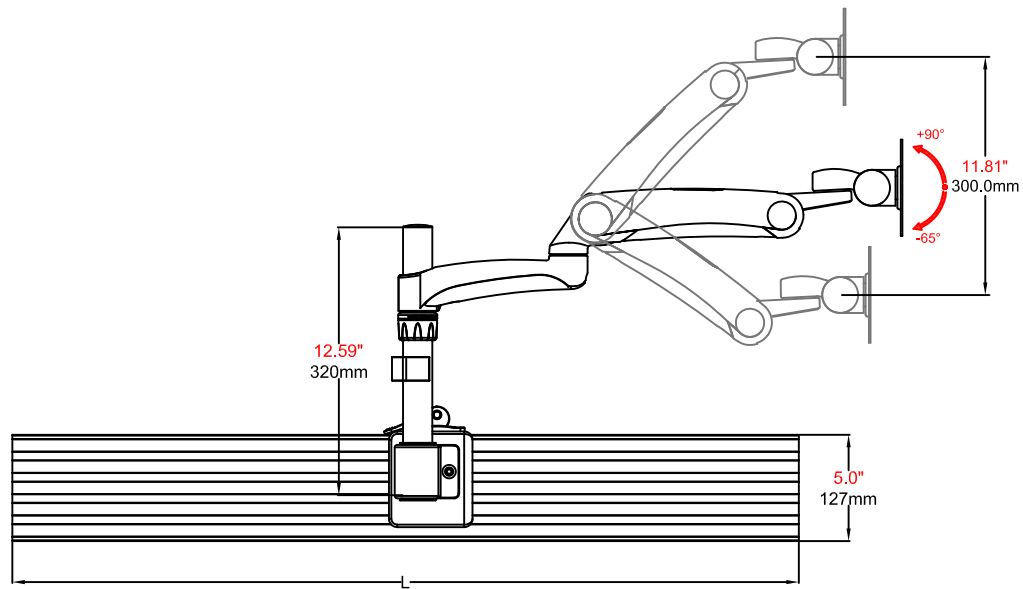
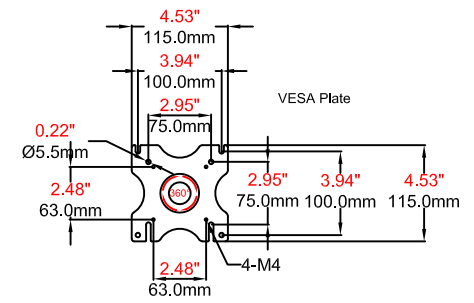
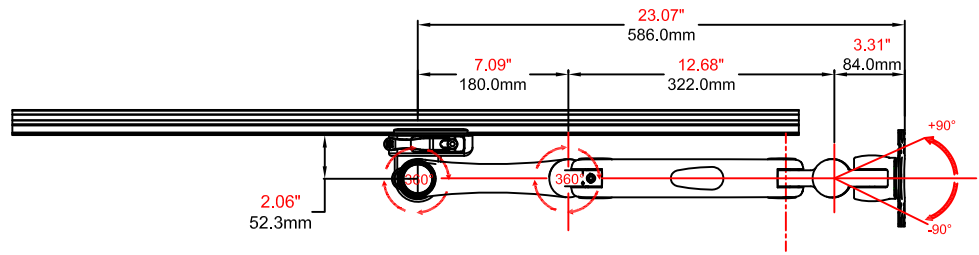

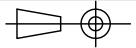


| | | | | |
|------|-------------------|--------|------|-------------------|
| | | | | Tolerances: (MM) |
| | | | | 0-(30) ±0.10 |
| | | | | 30-(120) ±0.20 |
| | | | | 120-(315) ±0.30 |
| | | | | 315-(1000) ±0.40 |
| | | | | 1000-(2000) ±0.60 |
| | | | | 2000 < ±1.20 |
| | | | | Angle Tol. ±0.2° |
| Rev. | Changing contents | Mender | Date | H/Dis. ±0.10 |



| | | | |
|--|----------------------------|-----------------------|---|
|  <p>2009 Zilla Technology Co.,Ltd. All rights reserved. Content is subject to change without notification.</p> | PRT.Name: 屏风卡延伸臂组合4 | | Rev:A |
| | DWG.NO: VSW3-A680G | | Unit: mm/inch |
| | Scale: | Thrid Angle Projecton |  |
| | Drawn BY: ZHANG 2019/04/04 | Material: | |
| | Checked BY: | Thickness: | |
| Approved BY: | S/Treatment: | | |